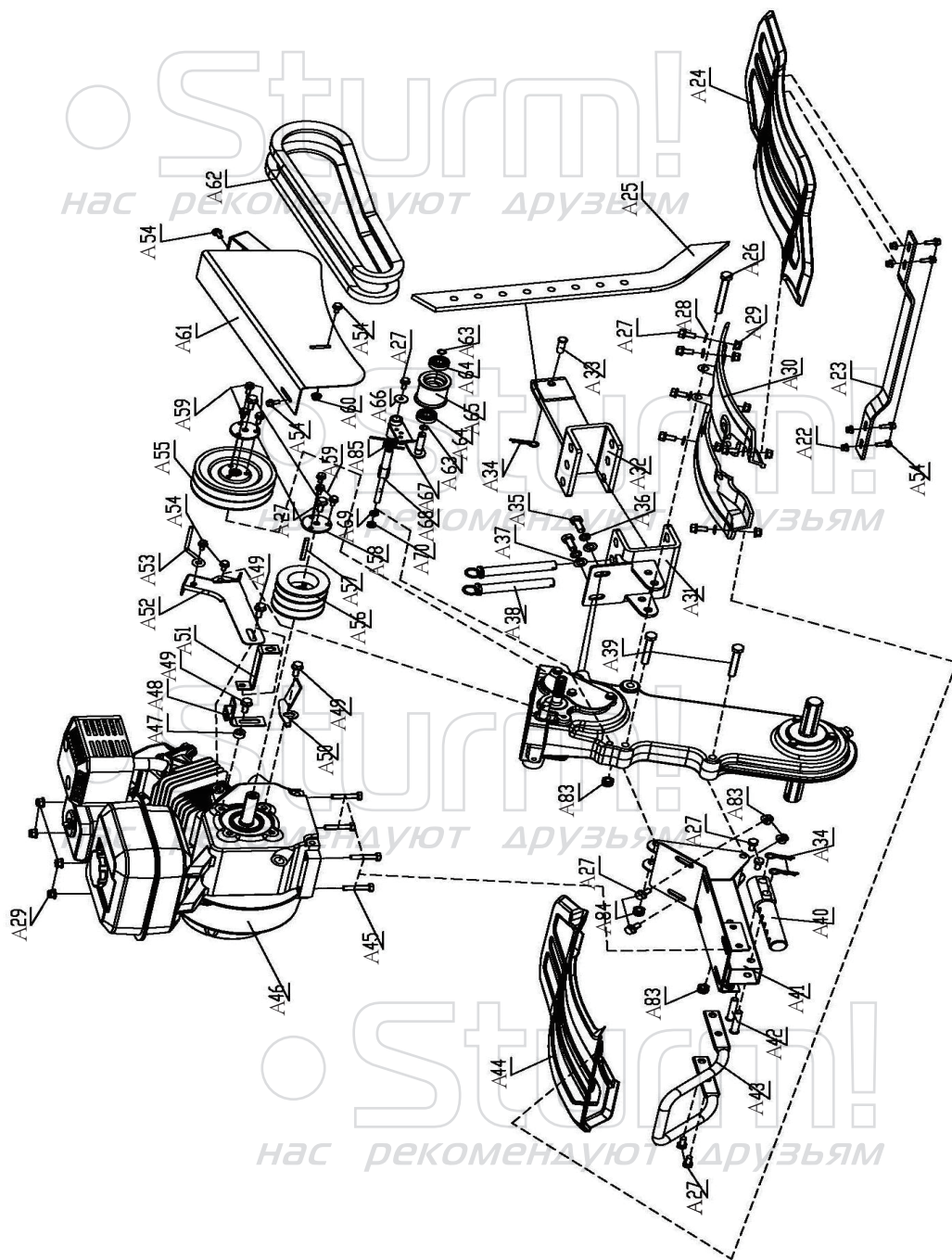


# GK8357

NO.	DESCRIPTION
A1	Grip
A2	Throttle control
A3	Clutch handle
A4	1.5m switch
A5	Armrest Frame
A6	Screw M16*150
A7	Gear
A8	Nut
A9	Screw M8*16
A10	Lock handle
A11	Corn grip
A12	Handle support
A13	Lever cover
A14	Screw M6*14
A15	Gear level bottom
A16	Gear level top
A17	Cotter 2*20
A18	Pin Blot 5*25
A19	AI Transmission
A20	Throttle cable
A21	Clutch cable
A22	TYRE ASSY (LEFT)

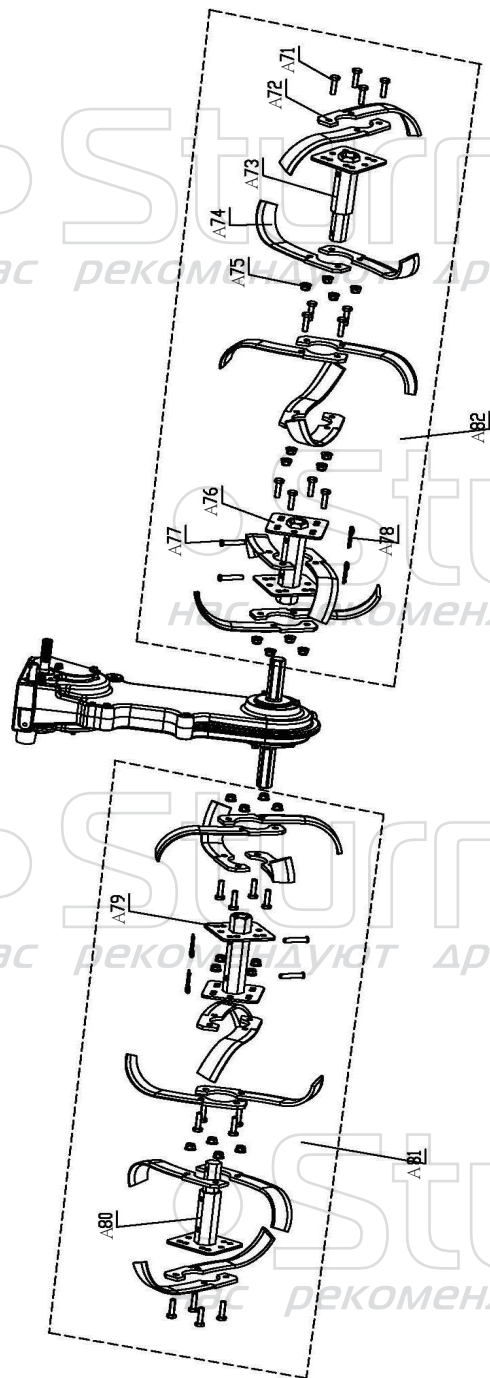
RU-ST20170911-1  
VER:2.1



# GK8357

NO.	DESCRIPTION	NO.	DESCRIPTION
A22	Nut M6	A48	Tension block A
A23	Splash guard support	A49	Screw M8*20
A24	Left splash guard	A50	Tension block B
A25	Depth skid	A51	Tension block C
A26	Screw M10*90	A52	Cable support
A27	Screw M8*16	A53	Belt support
A28	Washer 8*25*2	A54	Screw M6*14
A29	Nut/M8	A55	Follow up pulley
A30	Splash guard inside	A56	Driven pulley
A31	80 behind connector	A57	groove
A32	80 depth skid support	A58	Pulley support
A33	Pin Blot 10*40	A59	Screw M6*10
A34	B pin 2.5	A60	Nut M6
A35	Screw M8*25	A61	Belt cover
A36	Washer 8	A62	Belt
A37	Washer 8*25*2	A63	Clip
A38	Pin blot	A64	Bearing 6200
A39	Screw M8*65	A65	Tension block
A40	Front connector	A66	Washer 6*20*1.5
A41	Engine sheet	A67	Tension roller support
A42	Pin blot 10*50	A68	Tension roller shaft
A43	Front handle	A69	Plastic Washer 8.0
A44	Splash guard right	A70	Screw M8
A45	Screw M8*40	A83	Nut M8
A46	Engine	A84	Lock nut M10
A47	Bushing 8*16*9	A85	Spring

RU-ST20170911-1  
VER:2.1

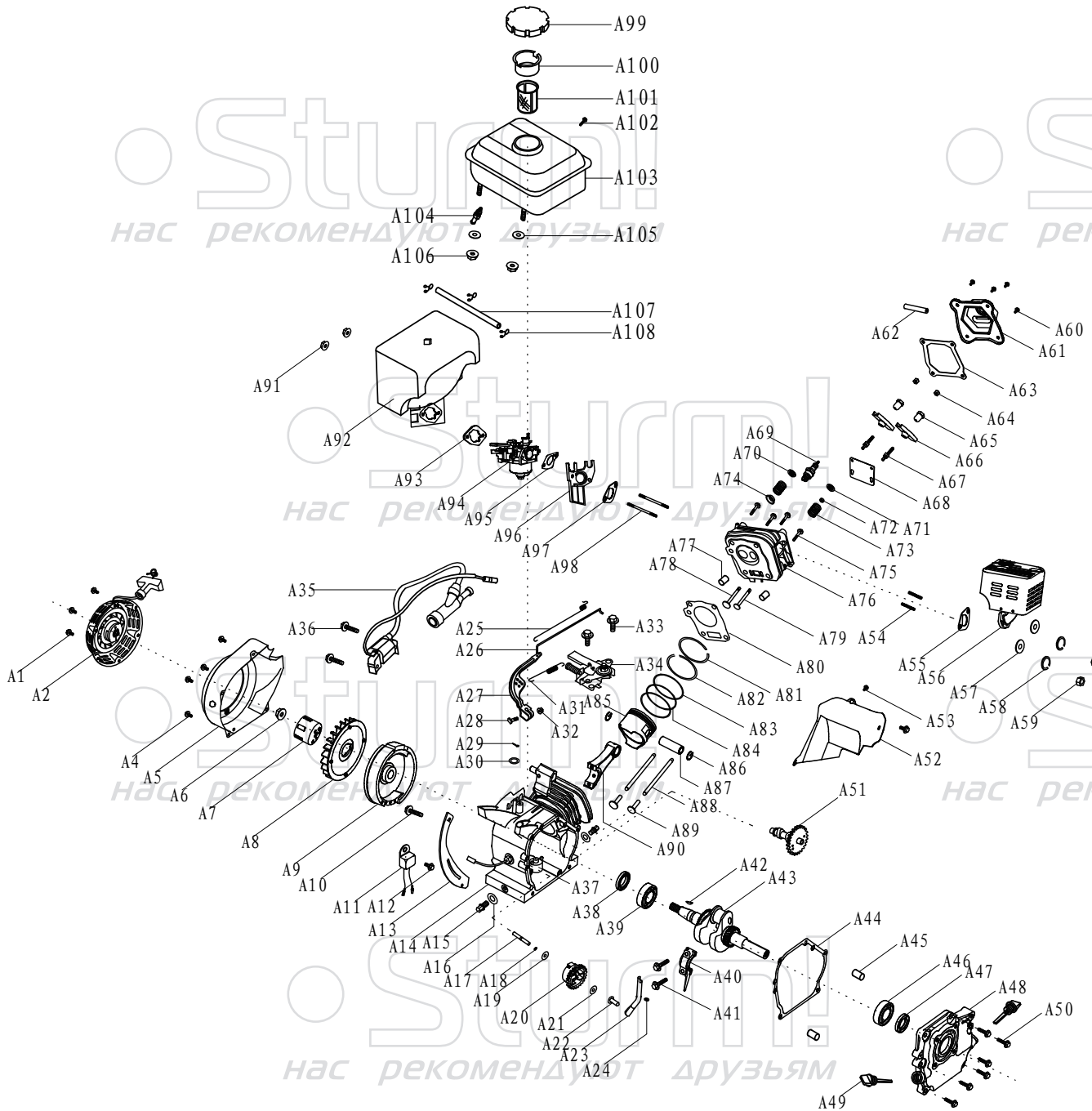


## GK8357

NO.	DESCRIPTION
A71	Screw M8*30
A72	Left blade
A73	left tube1
A74	Right blade
A75	Screw M8
A76	Left tube 2
A77	Pin blot 8*40
A78	B pin 2.5
A79	Right tube 1
A80	Right tube 2
A81	80 blades Cpl.
A82	80 blades Cpl.

RU-ST20170911-1  
VER:2.1

# GK8357



NO.	DESCRIPTION	NO.	DESCRIPTION	NO.	DESCRIPTION
A1	bolt M6×7	A37	oil alert system	A73	vlave spring
A2	starter	A38	oil seal	A74	valve oil seal
A4	bolt M6×12	A39	bearing 6205	A75	bolt M8x55
A5	engine comp	A40	connect rod cover	A76	cylinder head
A6	Nut M14x15	A41	bolt	A77	pin
A7	starter cup	A42	key	A78	intake valve
A8	fan	A43	crankshaft	A79	exhaust valve
A9	fly wheel	A44	crankcase gasket	A80	cylinder head gasket
A10	bolt M6x16	A45	pin	A81	1st piston ring
A11	separator	A46	bearing 6205	A82	2nd piston ring
A12	bolt M6×12	A47	oil seal	A83	piston ring a
A13	fly wheel side cover	A48	crankcase cover	A84	piston ring b
A14	crankcase	A49	oil plug	A85	piston
A15	bolt M10x12	A50	bolt M8x33	A86	piston pin block ring
A16	gasket 10x16x1	A51	camshaft	A87	piston pin
A17	rpm gear pin	A52	cool guide board	A88	push rod
A18	ring 6	A53	bolt M6x12	A89	rod
A19	ring 6x15x0.5	A54	bolt	A90	connect rod
A20	rpm gear	A55	muffler gasket	A91	Nut M6
A21	ring 6x15x0.5	A56	muffler	A92	air filter
A22	linging	A57	gasket 8	A93	air filter gasket
A23	rock gun	A58	spring gasket 8	A94	carburetor
A24	gasket φ 6	A59	nut M8	A95	gasket
A25	back up spring	A60	bolt M6x12	A96	block board
A26	rpm gun	A61	cylinder head cover	A97	gasket
A27	rpm arm	A62	breath pipe	A98	bolt
A28	square bolt	A63	breath gasket	A99	fuel tank cap
A29	spring pin	A64	nut	A100	filter clip
A30	gasket φ 6	A65	nut	A101	fuel filter
A31	rpm spring	A66	rock arm	A102	bolt m6x28
A32	Nut M6	A67	bolt	A103	fuel tank
A33	Bolt M6x12	A68	guide board	A104	Fuel pipe connector
A34	rpm base	A69	spark plug	A105	plastic gasket
A35	ignition	A70	intake valve spring base	A106	nut m6
A36	bolt M6x25	A71	exhaust valve spring base	A107	fuel pipe
		A72	top cover	A108	clip